

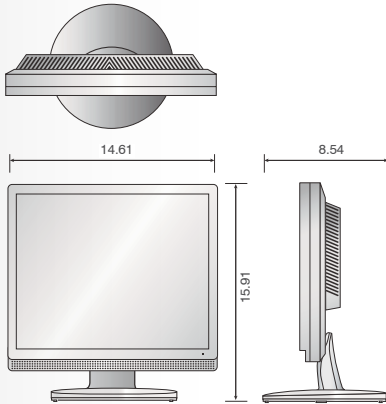
# SMT-1712

SAMSUNG 17", Cost Effective, 1280x1024, Security Application TFT-LCD Monitor, VGA Input Only



## Dimensions (unit : in)

Front/Rear Panel



## Contrast Ratio 5000:1

SAMSUNG Electronics' TFT LCD Monitor's high contrast provides the clearest and the most vivid color contrast on images as well as the background.



## Environment-friendly Low Power Consumption

The SMT-1712 has low power consumption that saves energy and money, especially in 24 hour security applications.



## Summary

Samsung SMT-1712 is optimized for 24/7 surveillance environments, featuring specialized design that provides 60,000 hours of meantime to failure and protective tempered glass. The SMT-1712 produces 1280x1024 resolution with 5ms response time, 5000:1 dynamic contrast ratio, 300cd/m<sup>2</sup> brightness and 160° view angle. With its Signal Balance function, the monitor eliminates the signal attenuation in the long distance installations. SMT-1712 also helps reducing costs with its environment-friendly low power consumption feature.

## Features

- 1280x1024 Resolution
- 5000:1 High Contrast Ratio
- 300cd/m<sup>2</sup> High Brightness
- 5ms Response Time
- Tempered Glass
- Built-In Power Supply (no power supply brick)
- VESA Mount Compatible

## Specifications

Model	SMT-1712	
General	Screen Size	17"
	Resolution	1280 x 1024
	Pixel Pitch (mm)	0.264 x 0.264(HxV)
	Brightness(cd/m <sup>2</sup> )	300
	Contrast Ratio	5000:1 Dynamic
	Response Time (ms)	5
	Viewing Angle (H/V)	160° / 160°
	Backlight Type	4 CCFT
	Panel Lamp Life	50,000HR
	Display Colors	16.7M
	Horizontal Frequency	31 ~ 81KHz
	Vertical Frequency	56 ~ 75Hz
	Sync Format	NTSC : 3.5 / PAL 4.43
Feature	Tempered Glass	Yes
	Language	English / French / German / Italian / Portuguese / Russian / Spanish / Swedish/Chinese / Japanese / Korean / Turkish / Taiwanese
	Front Panel Control	Menu, Adjust up / down / Auto / Enter, Power
	VESA Mount	3.94in x 3.94 in (100 x 100 mm)
Input Interface	PC	1 VGA (D-sub)
Stand	Swivel Stand	
Power Requirement	AC100-240V, 50/60Hz	
Power Consumption	20W	
Weight	10.8lbs (4.9kg)	
Dimensions	14.6(W)x 15.9 (H) x 8.55(D) in (371(W) x 404(H) x 217(D)mm )	
Accessories	User's manual, Power Cord, Video Signal Cable, CD-ROM	