

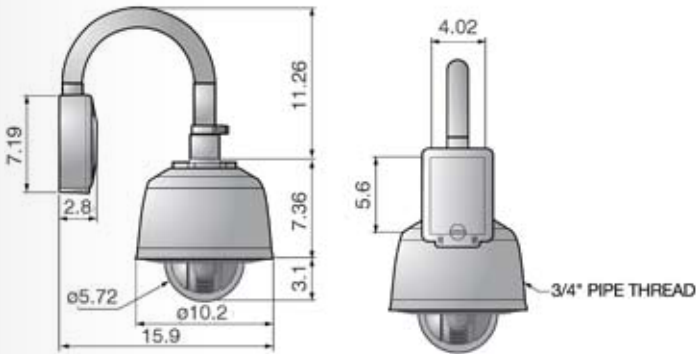
SCC-C7478 (C)

36x Optical Zoom SmartDome™
Camera System

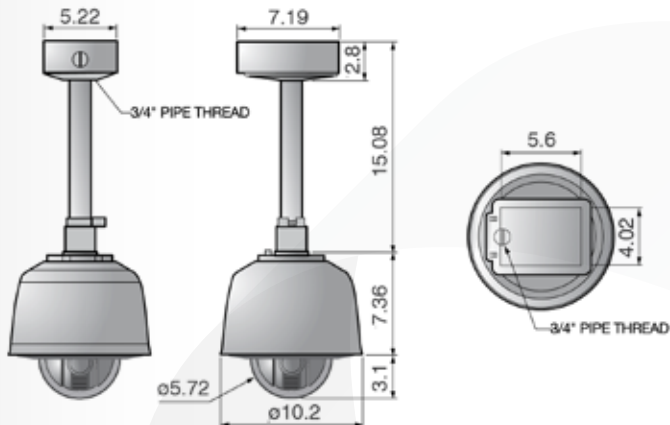


Dimensions (unit : in)

SCC-C7478



SCC-C7478C



Summary

With the SAMSUNG Electronics SCC-C7478(C), you get high performance in 10 minutes or less. These Power Zoom camera systems excel in sharpness and high resolution. Anyone can easily install the camera anywhere, and it adapts to the environmental changes around it perfectly. The SCC-C7478(C) also uses the unique True Wide Dynamic Range to resolve clear images through both glare and shadow.

Features

- 1/4" 410K/470K Pixels ExView-HAD Progressive Scan CCD
- 36x (f=3.4~122.4 mm) Optical Zoom Lens (12x D-Zoom)
- High-Resolution : 540(Color) / 570(BW) TV Lines
- Day/Night function (Moving Filter)
- Full Auto Focus function
- Privacy Mask Zone (8 Area)
- 360° Endless PAN (Slip-ring), 0~180° Tilt
- PAN Speed (Max 360°/sec), Tilt Speed (360°/sec)
- Multi-Protocol support (Pelco-P/D, Samsung)
- Remote Control: RS485/422
- Alarm In(8ea) / Out(4ea)
- Time & Day Scheduling function
- Vector Driving (Pan/Tilt operation simultaneously)
- Built-In Heater & Blower
- IP66 Rated Anti-vandal Housing
- AC24V

*SCC-C7478 - Camera System with Wall Mount

*SCC-C7478C - Camera System with Ceiling Mount

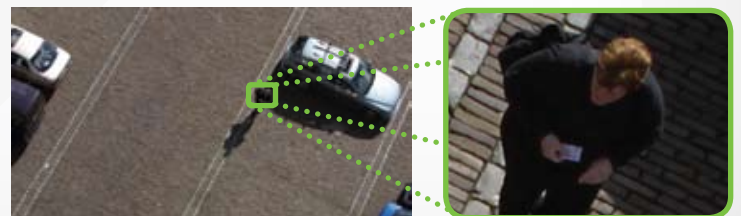
Ultra Easy Install

With the SAMSUNG Electronics SCC-C7478(C), we've done the work for you. We install the camera into the housing, so all you have to do is install your mount and plug it in.



36X Optical Zoom Lens

This camera system features a 36x Auto Focus Optical lens and 12x digital zoom combining to provide 432x zoom.



SCC-C7478(C)

36x Optical Zoom SmartDome™
Camera System

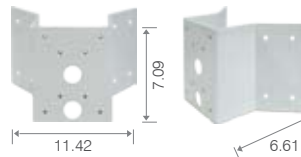


Specifications

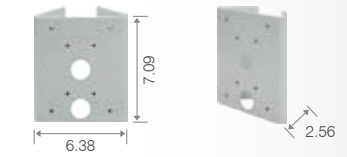
| | | | | | | | |
|--------------------------|-------------------------|---|---|------------|------------|--|--|
| Camera Type | Color/BW | Color | | | | | |
| Image | Device | 1/4" ExView-HAD Progressive Scan CCD | | | | | |
| | Pixels | Total | NTSC:811 X 508 | | | | |
| Min. Illumination | Color/BW | Effective | NTSC:768 X 494 | | | | |
| | | Illumination | Sens-Up | Color | B/W(S/W) | | |
| | | 50 IRE | Off | 1.40 Lux | 0.1500 Lux | | |
| | | 30 IRE | Off | 0.84 Lux | 0.0900 Lux | | |
| | | 15 IRE | Off | 0.42 Lux | 0.0450 Lux | | |
| | | 50 IRE | 64 times | 0.0219 Lux | 0.0023 Lux | | |
| | | 30 IRE | 64 times | 0.0131 Lux | 0.0014 Lux | | |
| 15 IRE | 64 times | 0.0066 Lux | 0.000 Lux | | | | |
| Resolution | Horizontal | 540(Color)/570(BW) TV Lines | | | | | |
| | Vertical | 350 TV Lines | | | | | |
| S/N Ratio | S/N Ratio | More than 50 dB | | | | | |
| Video Output | Video Output | VBS 1.0Vp-p | | | | | |
| Power | Power Requirement | AC24V, 24W(w/out Fan/Heater)/57W(with Fan/Heater) | | | | | |
| PAN/TILT | Speed | Manual | Pan 0.05°~200°/sec | | | | |
| | | Preset | Pan 360°/sec | | | | |
| | | Manual | Tilt 0.05°~200°/sec | | | | |
| | | Preset | Tilt 360°/sec | | | | |
| | Range | Panning | 0°~360°(Endless) | | | | |
| | | Tilt | 180° | | | | |
| | Number of Auto PAN | 8 | | | | | |
| | Number of Prese | 127 | | | | | |
| | Number of Pattern | 4 | | | | | |
| | Lens | Focal Length | 3.4 ~ 122.4mm | | | | |
| Zoom Ratio | | 36x Optical | | | | | |
| Aperture Ratio | | F1.6(W)/F4.5(T) | | | | | |
| Viewing Angle | | Tele | 1.70°(H) X 1.27°(V) | | | | |
| | | Wide | 57.80°(H) X 43.35°(V) | | | | |
| Lens Drive Type | | DC Auto Iris | | | | | |
| Functions | Mount Type | Board-in type | | | | | |
| | Number of Privacy Zones | 8 | | | | | |
| | Day/Night | Auto / Day / Night (IR Cut Filter) | | | | | |
| | Wide Dynamic Range | On / Off | | | | | |
| | D-Zoom | Yes(~12x) | | | | | |
| | High Speed Shutter | 1/60 ~ 1/10,000 sec | | | | | |
| | Sens-Up | Yes(2x~64x) | | | | | |
| | BLC | On / Off | | | | | |
| | AGC | Auto/Manual(-3~28dB) | | | | | |
| | Anti-Vandal | Yes (IP66 Rated) | | | | | |
| | Camera ID | Dip switch adjustable | | | | | |
| | White Balance | Auto/Manual(Red,Blue Gain Adj.) | | | | | |
| | OSD | Yes | | | | | |
| | Language | E/F/D/S/I/P/R | | | | | |
| | Alarm | IN | 8 | | | | |
| OUT | | 4(Relay) | | | | | |
| Environmental Conditions | Operating Temperature | -45°C ~ +50°C | | | | | |
| | Humidity | Less than 90% | | | | | |
| Physical Specification | Dimensions | Camera | 259(Ø) X 265.7(H)mm / 10.2(Ø) X 10.4(H) inch | | | | |
| | | Total | Wall Mount (WxHxD): 259 X 404.5 X 551.7 mm / 10.2 X 15.9 X 21.7 inch Ceiling Mount (øxH): 259 X 648.7 mm / 10.2 X 25.54 in | | | | |
| | Weight | Total | Wall Mount: 6 Kg / 13.2 lbs Ceiling Mount: 5.8 Kg / 12.8 lbs | | | | |
| | | Color | Body Light Gray | | | | |

Mount Adapter Options

SCX-747KM



SCX-747PM



SCX-747KM

Corner Mount Adapter for 36x PTZ
(SCC-C7478, SNC-C7478)

| | |
|------------------------|--|
| Material | Steel |
| Dimensions (W x H x D) | 11.42 x 7.09 x 6.61 in 290 x 180 x 168 mm |
| Weight | 5.07 lb / 2,300 g |
| Operating Temperature | -40°F ~ + 122°F -40°C ~ + 50°C |
| Operating Humidity | 0 ~ 90% RH |

SCX-747PM

Pole Mount Adapter for 36x PTZ
(SCC-C7478, SNC-C7478)

| | |
|------------------------|--|
| Material | Steel |
| Dimensions (W x H x D) | 6.38 x 7.09 x 2.56 in 162 x 180 x 65 mm |
| Weight | 2.87 lb / 1,300 g |
| Operating Temperature | -40°F ~ + 122°F -40°C ~ + 50°C |
| Operating Humidity | 0~90% RH |