

SCC-B9374

1/3" DAY/NIGHT, VANDAL RESISTANT, VARIFOCAL, IR DOME CAMERA



SUMMARY

The SCC-B9374 varifocal dome with infrared illumination is the perfect choice for installations where lighting at night is very low or does not exist at all. The IR dome provides sharp and clear pictures even with no light present.

The camera comes equipped with a 3.8 ~ 9.5mm varifocal aspherical DC auto iris lens and a true 3-axis gimbal bracket. The camera has a resolution of 540TV lines in color mode and is IP-66 rated. The camera's anti-vandal housing is built to withstand high impact and demanding weather conditions.

This vandal and weather resistant dome is designed for tough indoor or outdoor environments where most cameras would not survive.

FEATURES

- Vandal Resistant, IR Dome Camera
- 1/3" Sony Super HAD CCD
- Resolution 540 TV-Lines (Color), 570 TV-Lines (B/W)
- Minimum Scene Illumination
 - 0.5 Lux LED Off
 - 0.0 Lux LED On
- Vari-Focal Aspherical DC Auto Iris 3.8~9.5mm F1.2 Lens Built-in
- BLC/AGC
- Flickerless
- White Balance - AWC
- DIP Switch Control of Color & B/W Changing Time
- 18 IR LED with CDS Photocell Auto Switch
- 20ft range effective IR illumination
- True 3-Axis Gimbal Bracket (2-Pan, 2-Tilt)
- Vandal Resistant & Weather Resistant Housing (IP66)
- AC24V/DC12V

ACCESSORIES

RECOMMENDED POWER SUPPLIES

- GV-M1234, 12VDC, 3 amp, 4 fused outputs
- GV-M2444UL, 24VAC, 3.5 amp, 4 fused outputs
- GV-M2448UL, 24VAC, 4 amp, 8 fused outputs
- GV-M24816UL, 24VAC, 8 amp, 16 fused outputs
- GV-TRAN-12-500DC, 12VDC, 500 MA, plug in transformer
- GV-TRAN-24-20LED, 24VAC, 20VA, Class II plug in transformer
- GV-TRAN-24-40LED, 24VAC, 40VA, Class II plug in transformer

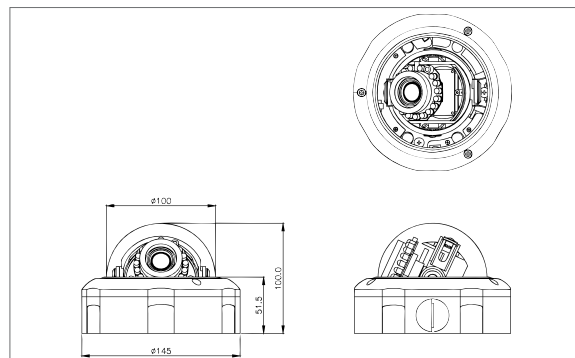
SCC-B9374 | TECHNICAL SPECIFICATIONS

Rear Panel



Knock out on both the back and the side

Dimensions (unit : mm)



SCC-B9374

SPECIFICATIONS

Camera Type	Color/BW	IR Dome Camera
Image	Device	Interline Transfer Type Sony CCD
	Size	1/3"
Scanning	Pixels – Effective	768 (H) x 494 (V)- 380K Pixels
	System	525 lines, 2:1 Interlace
Min. Scene Illumination	LED On	0.0 Lux
	LED Off	0.5 Lux
Functions	Shutter Speed	1/60 sec
	AGC	Built-in
	IR	18 pcs LEDs
Lens	CDS	Day/Night Switching
	Size	3.8~9.5mm Varifocal, DC AutolirisF1.2
Resolution	Horizontal	540(Color) TVL /570(B/W) TVL
Video Output	VBS 1.0Vp-p	VBS 1.0Vp-p (75-Load)
S/N Ratio	S/N Ratio	Greater than 48dB (AGC off)
Environmental Conditions	Operating Temperature	14°F ~ +122°F (-10°C ~ +50°C)
	Power Requirement	12VDC / AC24VC
Power	Power Consumption	Normal: 160mA, Max. (IR-LED ON): 320mA (DC12V)
	Physical Specification	Dimensions (øxL)
	Weight	3.1lbs (1.4kg)