

GV-SCS530

INTEGRATED PTZ POSITIONING SYSTEM, 36X OPTICAL ZOOM, WDR, D/N, INDOOR/OUTDOOR CAMERA



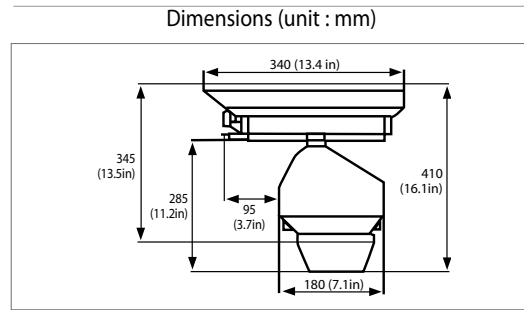
SUMMARY

The "Smart Camera System" GV-SCS530 is a high-performance, integrated positioning system featuring a 530 TVL resolution, 36x optical zoom camera, lens and complete PTZ unit. Made from die-cast aluminum construction, with an IP66 rated weather-resistant design. The GV-SCS530 has a built-in heater, wiper, window defroster, sun-shield, anti-fogging, dust-proof and frost protection function. It can withstand high winds, offers complete 360-degree operation with tilt ranges of +33 degrees and -83 degrees from the horizontal. What's more, the camera is equipped with a number of convenient new functions such as Spherical Privacy Zone Masking with Mosaic Effect, Video Motion Detection, Multi-Line On-Screen Display, E-flip, and Picture Freeze. The GV-SCS530 is also compatible with many popular control protocols.

FEATURES

- 1/4" type ExView HAD CCD
- 36x Optical Zoom (432x Digital zoom)
- High Resolution of 530 TV Lines
- Min Scene Illumination of 1.4 lux @ 1/60s shutter speed and 0.1 lux @ 1/4s shutter speed
- True Day/Night with IR Filter Removal
- Wide Dynamic Range
- E-flip
- Picture Freeze
- Advanced Spherical Privacy Zone Masking Function with Mosaic Effect
- Video Motion Detection
- Multi Line On-Screen Display
- Electronic shutter / slow shutter
- Internal / External synch (V-lock)
- Die-cast Aluminum construction, high temperature resistant
- Weather resistant, dust proof design, protection grade IP66
- 360° continuous panning
- Tilt range +33°~-80°
- Auto pan function between 2 presets
- 128 presets 6 tracks
- Anti fogging and frost protection function
- Wiper
- Factory presets
- Register set command
- RoHS-compliant
- Multi Protocol Control

GV-SCS530 | TECHNICAL SPECIFICATIONS



GV-SCS530

SPECIFICATIONS

Image sensor	1/4" EX view HAD CCD
Number of total pixels	Approx. 380,000 pixels
Lens	36x optical zoom, f=3.4 mm (wide) to 122.4 mm (tele), F1.6 to F4.5
Digital zoom	12x (432x with optical zoom)
Angle of view (H)	57.8° (wide end) to 1.7° (tele end)
Minimum object distance	320 mm (wide end) to 1,500 mm (tele end)
Sync system	Internal / External (V-lock)
Minimum illumination	1/60s mode: 1.4 lux (typical) (F1.6, 50 IRE): 1/4s mode: 0.1 lux (typical) (F1.6, 50 IRE)
Horizontal Resolution	530 TV Lines
Day & Night	Yes, True D/N, IR Cut Filter Removal
S/N ratio	More than 50dB
Electronic shutter	1/1 to 1/10,000s, 22 steps
White balance	Auto, ATW, Indoor, Outdoor, One-push, Manual
Gain	Auto / Manual (-3 to 28 dB, 2 dB steps)
AE control	Auto, Manual, Priority mode (shutter priority & iris priority), Bright, EV compensation, Backlight compensation, Slow AE
Wide Dynamic Range	On / Off: Wide-D, 128x
Backlight compensation	On / Off
Privacy zone masking	On / Off (8 masks per view/24 masks presets in the entire viewing range when integrated into a PTZ camera - 14 colors, mosaic)
Character generator	Mode display/Multi-line OSD (OSD has priority over Mode display)
Flicker cancel	Auto
Focusing system	Auto (Sensitivity:normal, low), One-push AF, Manual, Infinity, Interval AF, Zoom Trigger AF
Picture effects	E-Flip, Black & White, Mirror Image, Picture Freeze, Motion Detection
Camera operation switch	Zoom tele, Zoom wide
Video output	VB5: 1.0 Vp-p (sync negative), Y/C
Camera Dimensions (W x H x D)	50.0 x 57.5 x 87.9mm (2 x 2 3/8 x 3 1/2 inches)
Pan Preset speed	100°/s (wind speed low 50 mile/hour)
Tilt preset speed	30°/s (wind speed low 50 mile/hour)
Pan speed	0° ~ 40°/ S
Tilt speed	0° ~ 20°/ S
Pan range	360° continuously
Tilt range	+33° ~ -80°
Preset, track	128 presets, 6 tracks
Control way	Multi-protocol, Baud rate from 2400Bps to 19200Bps, RS485 Control
Operating Temperature	-35° C ~ 55° C / -31° F ~ 131° F
Relative humidity	90% Non Condensing
IP grade	IP66
Power supply	AC 24V/AC 110V/AC 230V
Power consumption	70VA
Weight	10.5Kg (23.1 lbs)
Protocols	Pelco P, D, Samsung